



60Ah Aerospace Cell



**High energy,
long-cycle life and
low maintenance
lithium-ion cell
for demanding
applications**

Lithiated Nickel Cobalt Aluminum Oxide

Features and Benefits

- Case neutral
- Safety vent feature
- True prismatic design
- Hermetically sealed
- Stainless steel case
- Long life
- Qualified for operation from -20 to 60°C (-4 to 140°F)

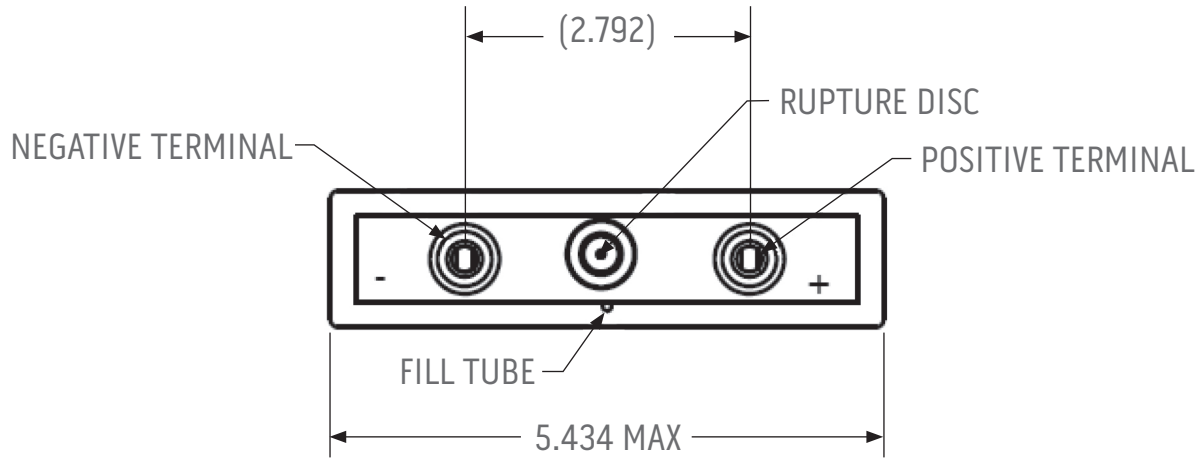
Applications

- Aerospace
- Mars landers
- Low-earth orbit satellite missions
- Mid-earth orbit satellite missions
- Geosynchronous-earth orbit satellite missions
- Scientific and exploratory satellite missions

Specifications

Part Number	LP33099
Nominal Cell Weight	1.6 kg (3.5 lbs)
Dimensions	See details on back
Voltage Range	3.0 to 4.1 V
Nominal Voltage	3.6 V
Nominal Capacity	60 Ah at C/5 at 20°C (68°F)
Energy Density	355 Wh/L
Specific Energy	150 Wh/kg
Discharge Rates	Max constant current 250 A
	Max pulse current (<1 sec.) 550 A
Nominal Cell Impedance	1mΩ at 20°C (68°F)
Cycle Life (80% capacity measured at 0.5C discharge current at 20°C (68°F))	>2000 at 100% DOD
Standard Charging Method	Constant current 12 A (0.2C) to 4.1 V
	Constant voltage 4.1 V to 1.2 A (C/50)
Operating Temperature	-20 to 40°C (-4 to 104°F)
Storage Temperature	-40 to 40°C (-40 to 104°F)

60Ah Aerospace Cell



TAPE AND INSULATOR COVER
NOT SHOWN FOR CLARITY

